

# Tatekata-ACE

Steel Erection System [S, SRC Building]

■ The effect of system introduction ■

## Q.Improvement in Quality

- ① It is possible to adjust the tolerance, verticality and level of column independently.
- ② According to metering equipment (3 dimension metering equipment, transit and so on) the coordination may easy guarantee its high accuracy.

## C.Reduction in Cost

- ① The expendable items can be limited.  
 [ Adjusting wire and its temporary piece ]  
 Splice plate as well as bolt
- ② It is possible to reduce the workers during erection.

## D.Reduction in Erection time

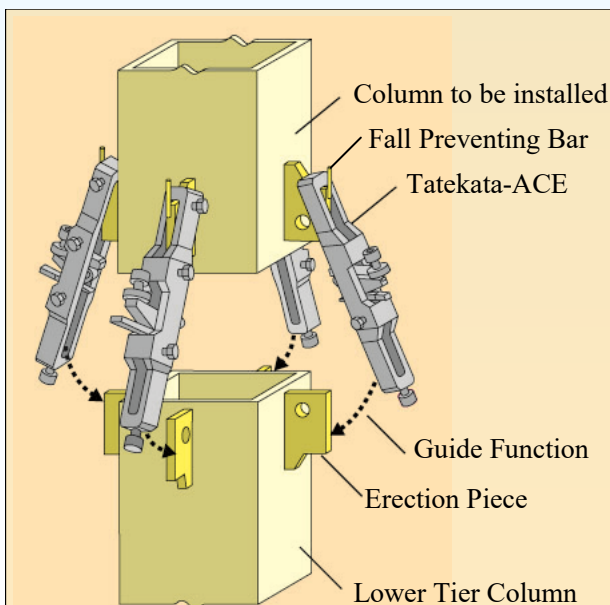
- ① The erection time for column installation can be shortened largely.
- ② Girder installation time shorten: Girder installation can be carried on smoothly because the column installed precision is high.
- ③ Column installation time shorten: The crane can be released quickly due to the column self standing.
- ④ The installation members per day can be increased.

## S.Improvement in Safety

- ① High place operation can be reduced.
- ② The dangerous work caused by alignment can be reduced .
- ③ The dangerous work caused by conflict with wire can be reduced.



View for delivery Special Rack  
 Tatekata-ACE 10 pieces / 1Rack  
 900\* 820\* 400mm  
 Total Weight max about 200kg



©Tatekata-ACE can be set-up on column bottom only while installation! Pre-setting is not necessary!

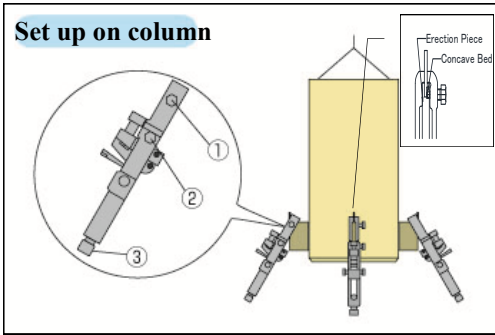
**While installation, Setting up Tatekata-ACE device, cooperated with metering system for column accuracy (3 dimension metering equipment, transit and so on) together is the newly erection system method for highly safety and efficiency.**

*Changed the steel erection knowledge*  
**Tatekata-ACE!!**

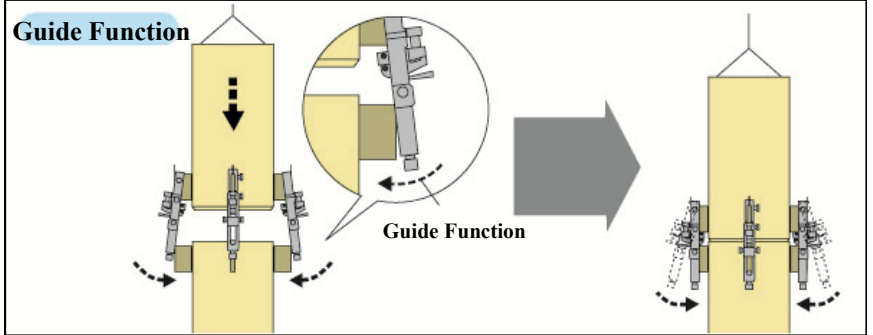
It is suitable for rectangular column · H shape column as well as circular column including various column.



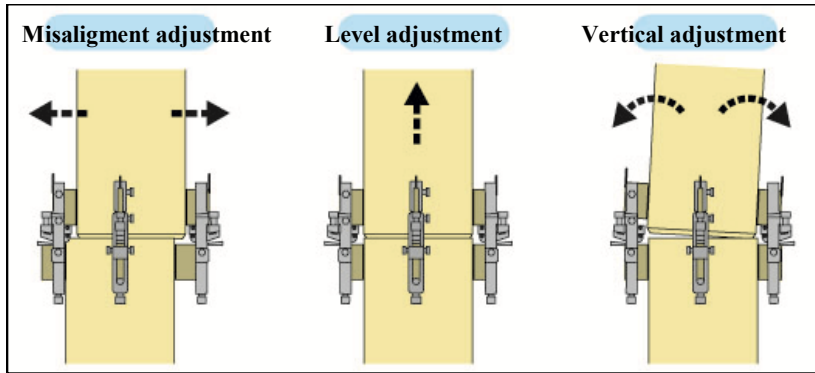
# Installation Sequence



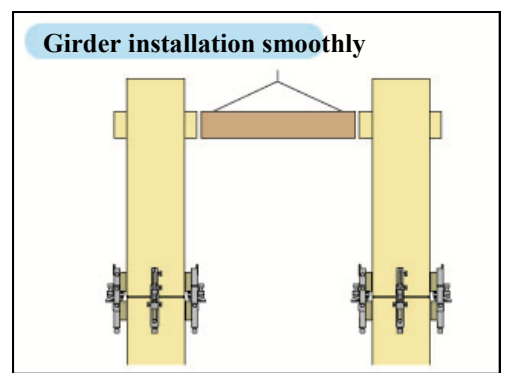
**1** Fix Bolt②, setting up same as fig above.



**2** Release the bolt②, put onto erection piece on lower tier column (Guide Function). Then fix the bolt①② and ③ to prevent falling.

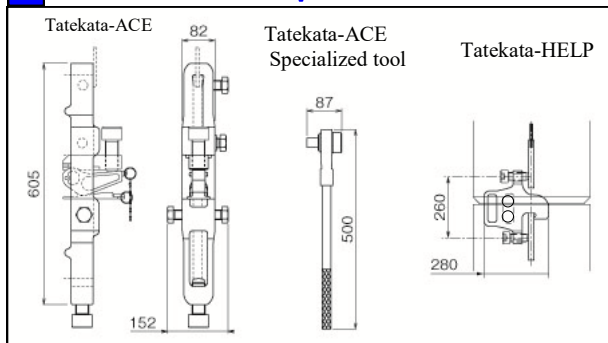


**3** It is possible to adjust the tolerance, verticality and level of column, By using the metering device to ensure high installing accuracy. ※using 3 dimension metering equipment, transit etc can increase the efficiency.



**4** Girder installation may carry on smoothly because the column installed precision is high

## Tatekata-ACE・Specialized tool・Tatekata-HELP SPEC.



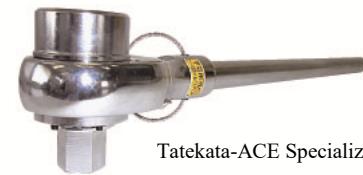
Weight/Tatekata-ACE 15.5kg Allowable tension/ 75ton



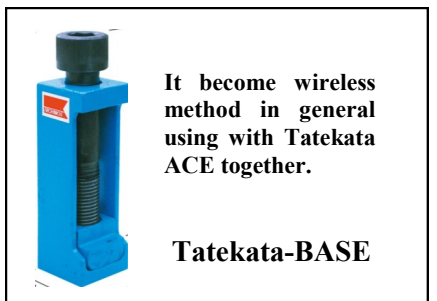
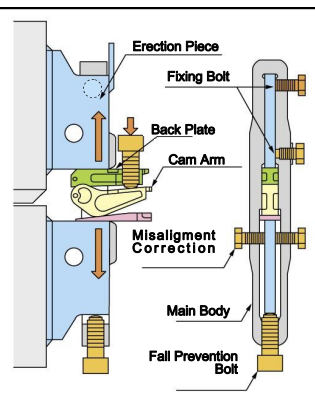
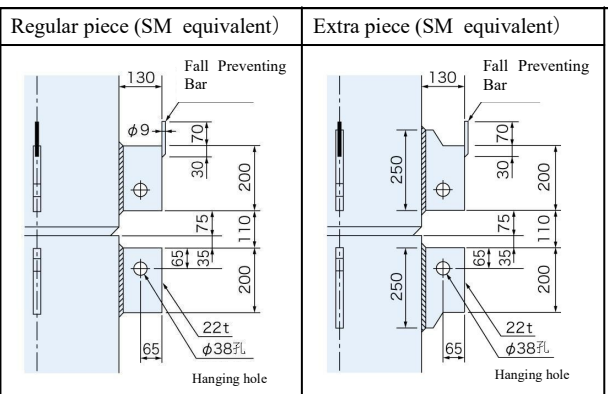
Tatekata-HELP



Tatekata-ACE



Tatekata-ACE Specialized tool



It become wireless method in general using with Tatekata ACE together.

Tatekata-BASE

※Product SPEC. in this catalogue maybe changed due to improvement without informing .

ACEUP is our registered trade mark. Any inquiry regarding the product please contact with Division Engineering Department



**TECHNOS CO., LTD.**  
テクノス 株式会社

URL <http://www.technos.info>  
<http://www.technos.com.tw>



Head office 2-1, Honohara, Toyokawa-shi, Aichi Pre. Japan 442-0061 TEL.0533-84-1116 FAX.0533-84-1234  
Tokyo office 6F, Shimada Bldg., 2-20 Ageba-cho, Shinjuku-ku, Tokyo 162-0824 TEL.03-5228-5811 FAX.03-5228-1182  
Taiwan Branch 8F, No.390, Sec. 1, Fuxing South Rd., Taipei, Taiwan TEL : +886-2-2708-9038 FAX : +886-2-2708-9083  
Singapore Branch 2 Venture Drive, #24-01(78), Vision Exchange, Singapore 608526 TEL : +65 6914 9212

ISQA385  
(Only for Head Office)